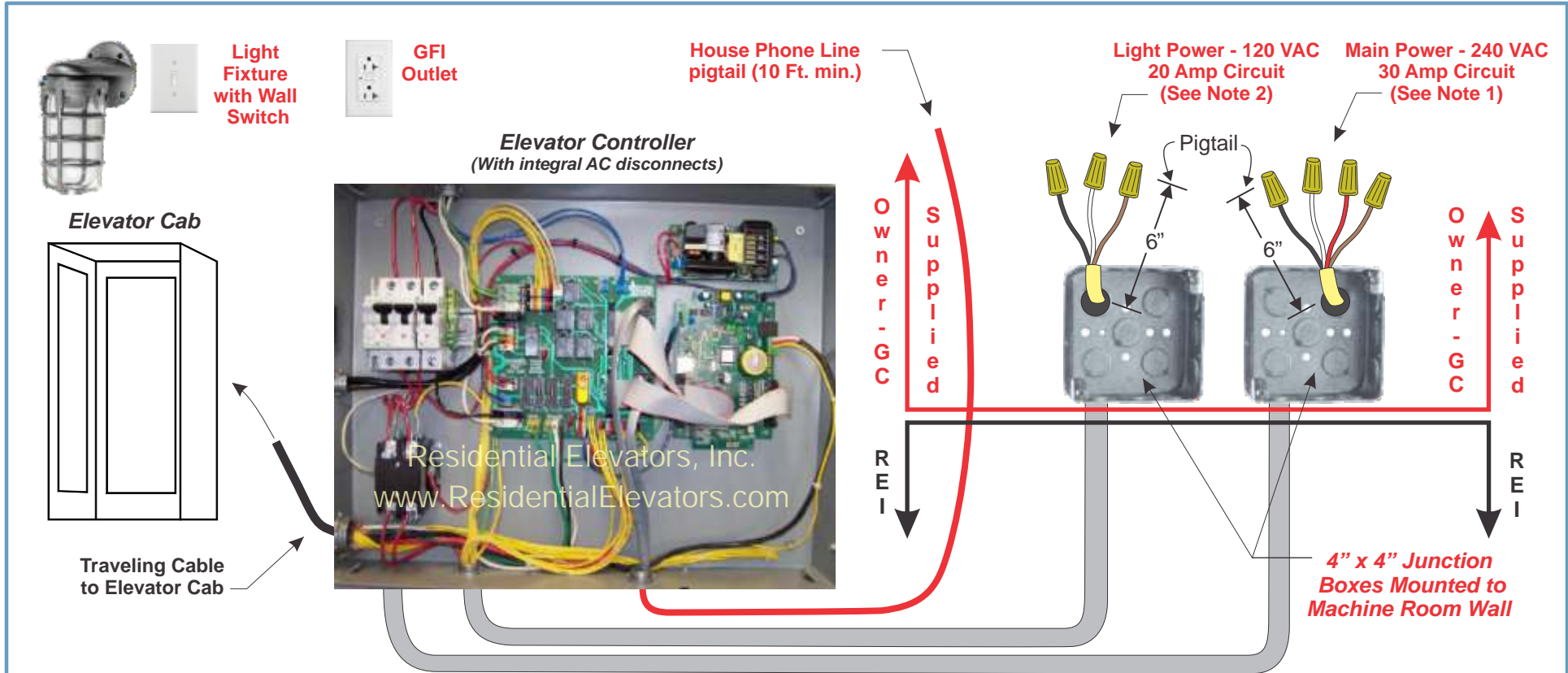


Electrical Requirements for Elevator Machinery Space *(by G.C. / Owner / Other)*



By General Contractor / Owner

Each home elevator requires five (5) items from your Electrician and Telecommunications Contractor(s). They are as follows:

1. Main Power - 10/3 with Ground (min. 6") Pigtail connected to house 30 Amp dedicated circuit
2. Cab Light Power - 12/2 with Ground (min. 6") Pigtail connected to house 20 Amp dedicated circuit
3. One (1) GFI Outlet.
4. One (1) Light Fixture (with protective cover over bulb) with wall switch.
5. One (1) Phone Line with pigtail (10'-0" Min.)

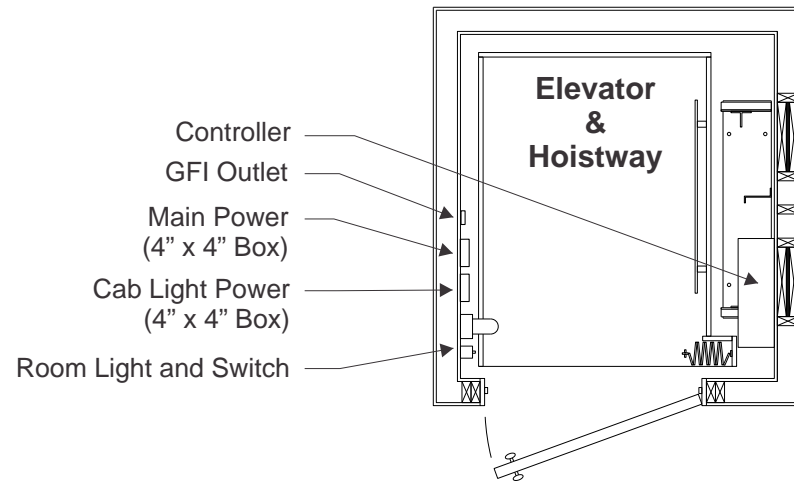
THE INFORMATION CONTAINED HEREIN IS SOLELY OWNED BY RESIDENTIAL ELEVATORS, INC. ANY REPRODUCTION IN PART OR AS A WHOLE WITHOUT WRITTEN PERMISSION FROM RESIDENTIAL ELEVATORS, INC. IS STRICTLY PROHIBITED.

PLEASE BE ADVISED THAT POWER ON THE 240 VAC LINE MUST BE A 10-3 WIRE WITH A GROUND AND INSURE THERE IS A DEDICATED NEUTRAL TO THE UNIT.

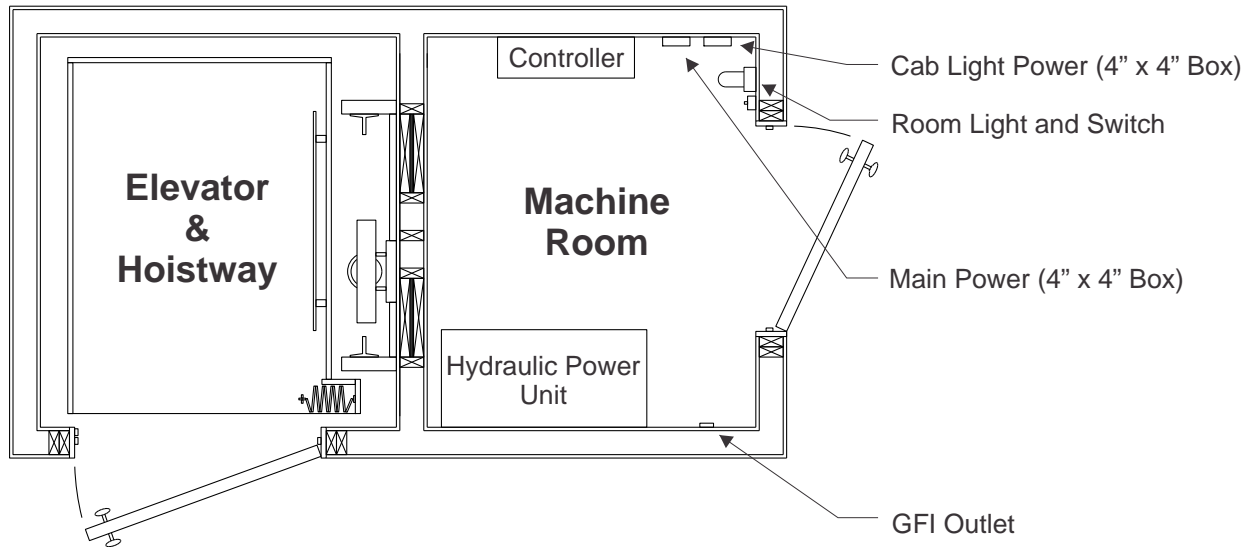
Explanation: The 240 VAC feed should have a black, red, white and ground wire coming to the machine room. All electrical contractors will have full knowledge of this requirement. Simply insure they are aware of the requirement. Black and red are powered with 120 VAC, each totaling 240 VAC. White is neutral. Ground to ground standard. Also, standard telephone line should be pulled to machine room with approximately ten feet extra length inside machine room. If further explanation or clarification is needed, please contact your local sales representative.

Elevator Electrical Requirements

Traction Application



Hydraulic Application



Residential Elevators, Inc.
20 Residential Drive, Crawfordville, FL 32327

Toll Free 1-800-832-2004
contact: sales@ResidentialElevators.com
ResidentialElevators.com